

KIT PART NUMBER 6232235 INSTRUCTIONS FOR INSTALLING A VEND DOOR AND TRACK EXTENSION

CHECK THE PARTS RECEIVED IN THIS KIT WITH THE PARTS LIST IN THESE INSTRUCTIONS. IF ANY PARTS ARE MISSING CONTACT THE CRANE MERCHANDISING SYSTEMS' PARTS DEPARTMENT AT 1-800-621-7278.

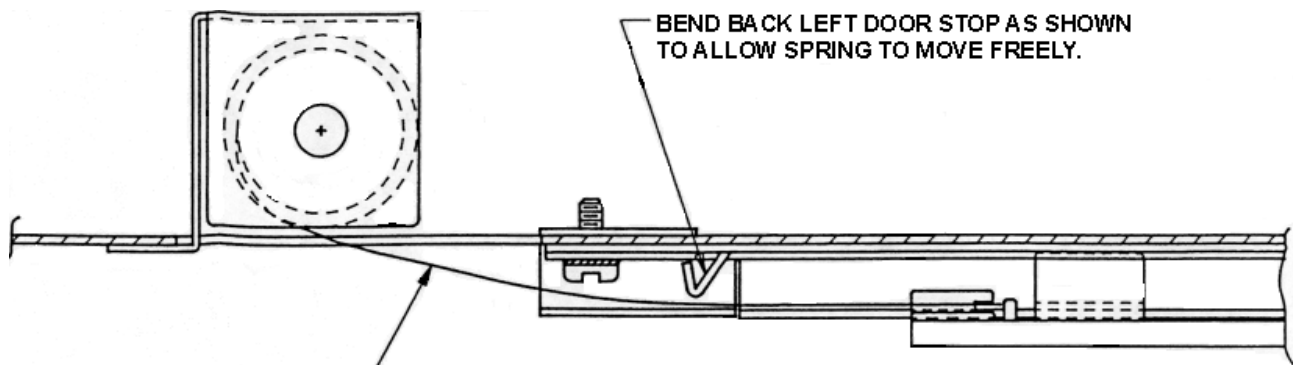
Read these instructions carefully before installing the kit.
Keep these instructions for part numbers and for future reference.

THIS KIT CONTAINS THE FOLLOWING:

PART NUMBER	DESCRIPTION	QTY
4047141	SCREW - #8-32X3/8 PHS W/LW T/F	1
6232220	EXTENSION - TRACK - VEND DOOR	1
6232236	INSTRUCTIONS - INSTALL - TRACK EXTENSION	1
6722024	DOOR - VEND	1

INSTRUCTIONS-TRACK EXTENSION

- Remove the door stop (p/n 6232096) and slide the old door (p/n 6232083) and spring (p/n 6232091) to the right. Pull gently on the bottom of the door so the handle will clear the cup frame bezel.
- Bend back the "Door Stop" on the brace and track assembly (p/n 6232097) as shown in the illustration below.



SPRING #6232091 TO BE ROUTED INSIDE OF
TRACK EXTENSION #6232220 AND DOOR TRACK
#6232172 AS SHOWN. SPRING CONNECTS TO
BACK SIDE OF DOOR #6722024

Figure 1

3. Install track extension (p/n 6232220) on the Brace and Track Assembly with screw (p/n 4047141) as shown.

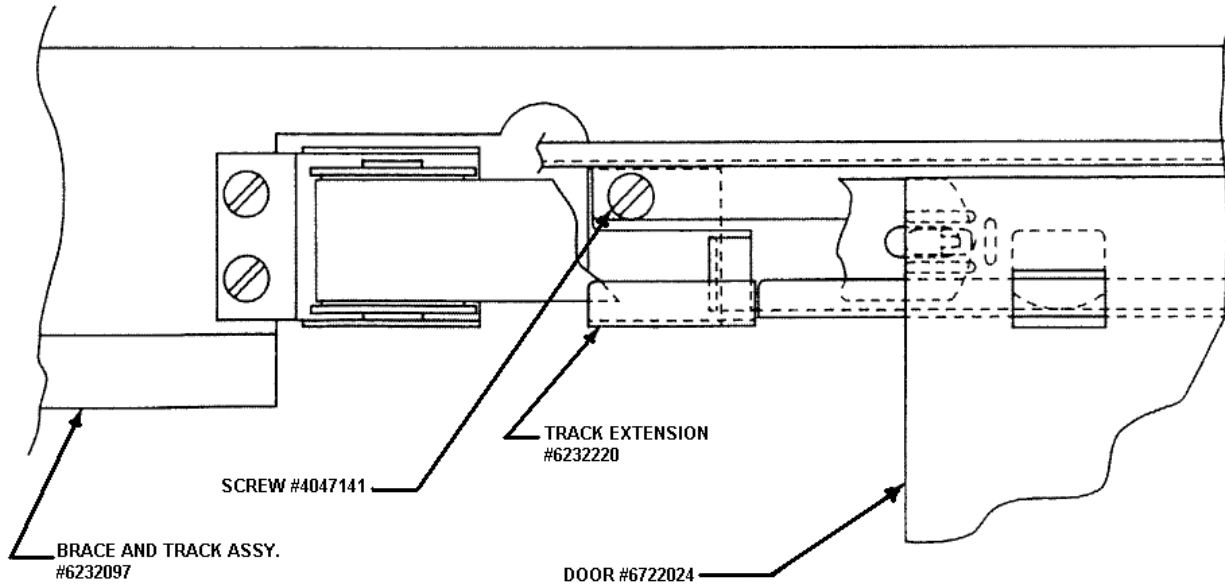


Figure 2

4. Place spring (p/n 6232091) on the new door (p/n 6722024).
5. Uncoil the spring and hold it in your left hand. Hold the door in your right hand. Thread the spring through the inside of the door track and engage the spring spool. Slide the door onto the track while pulling gently on the bottom of the door until the door handle clears the cup frame bezel.
6. Replace the door stop.
7. Test the door for proper operation.

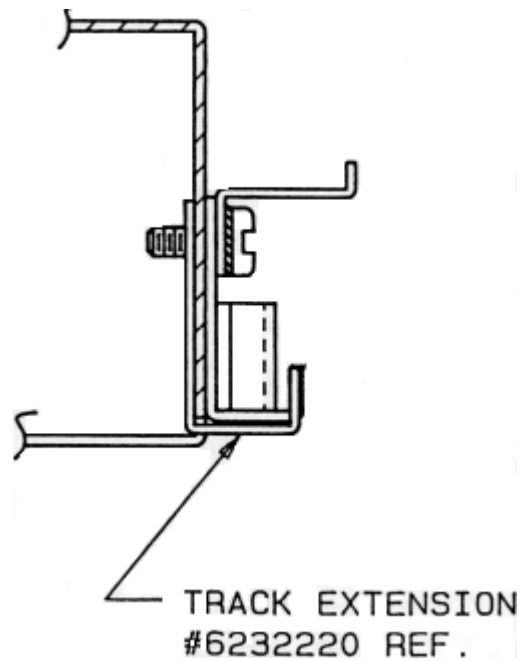


Figure 3